



**WAUSAU**

WINDOW AND WALL  
SYSTEMS

Test Unit Elevations

**Architectural Windows**

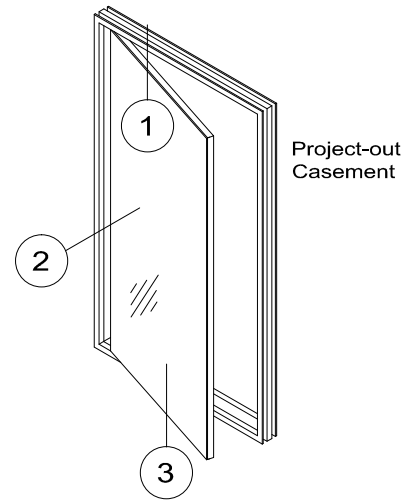
**4250-Z Series Zero Sightline**

Elevations Viewed From The Exterior

**Section Contents**

Page(s)

Insert Vent Details	Z3-2 thru Z3-4
SSG Insert Vent Details	Z3-5 thru Z3-7



**AAMA Test Configurations** (shown)

Architectural AW Class

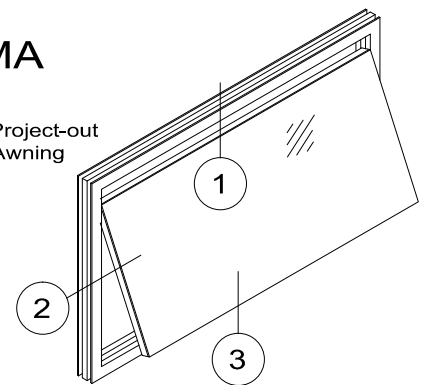
For air, water, cycling and structural

**Gateway Sizes**

60" x 36"	Projected	1524 mm	x	914 mm
36" x 60"	Casement	914 mm	x	1524 mm

**AAMA**

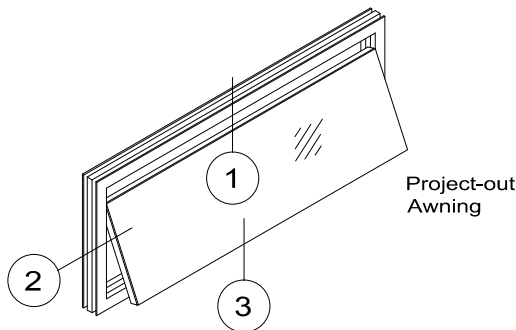
Project-out Awning



**NFRC 100 Thermal Test Configurations** (shown)

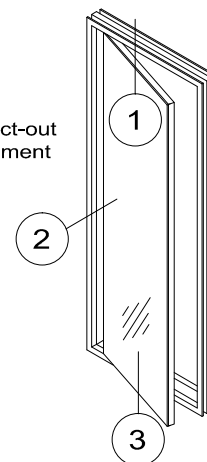
For U-Factor, SHGC and CR

Projected Frame Size	59" x 24"	1500 mm	x	600 mm
Casement Frame Size	24" x 59"	600 mm	x	1500 mm



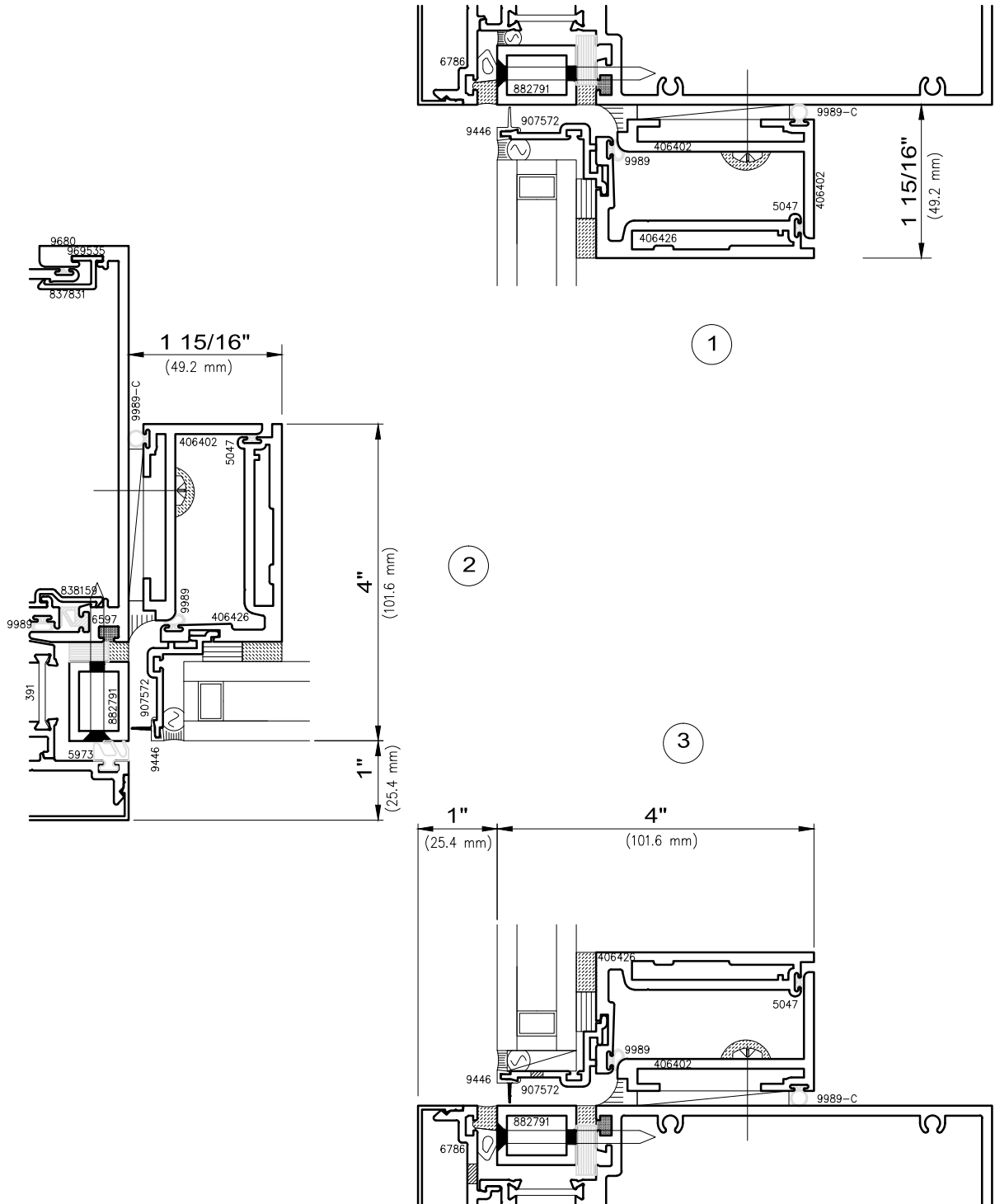
**NFRC**

Project-out Casement



# 4250-Z Zero Sightline

Contact A Wausau Representative For Other Possible Configurations



Read-through of glazing components may be evident from the exterior using certain glass types.



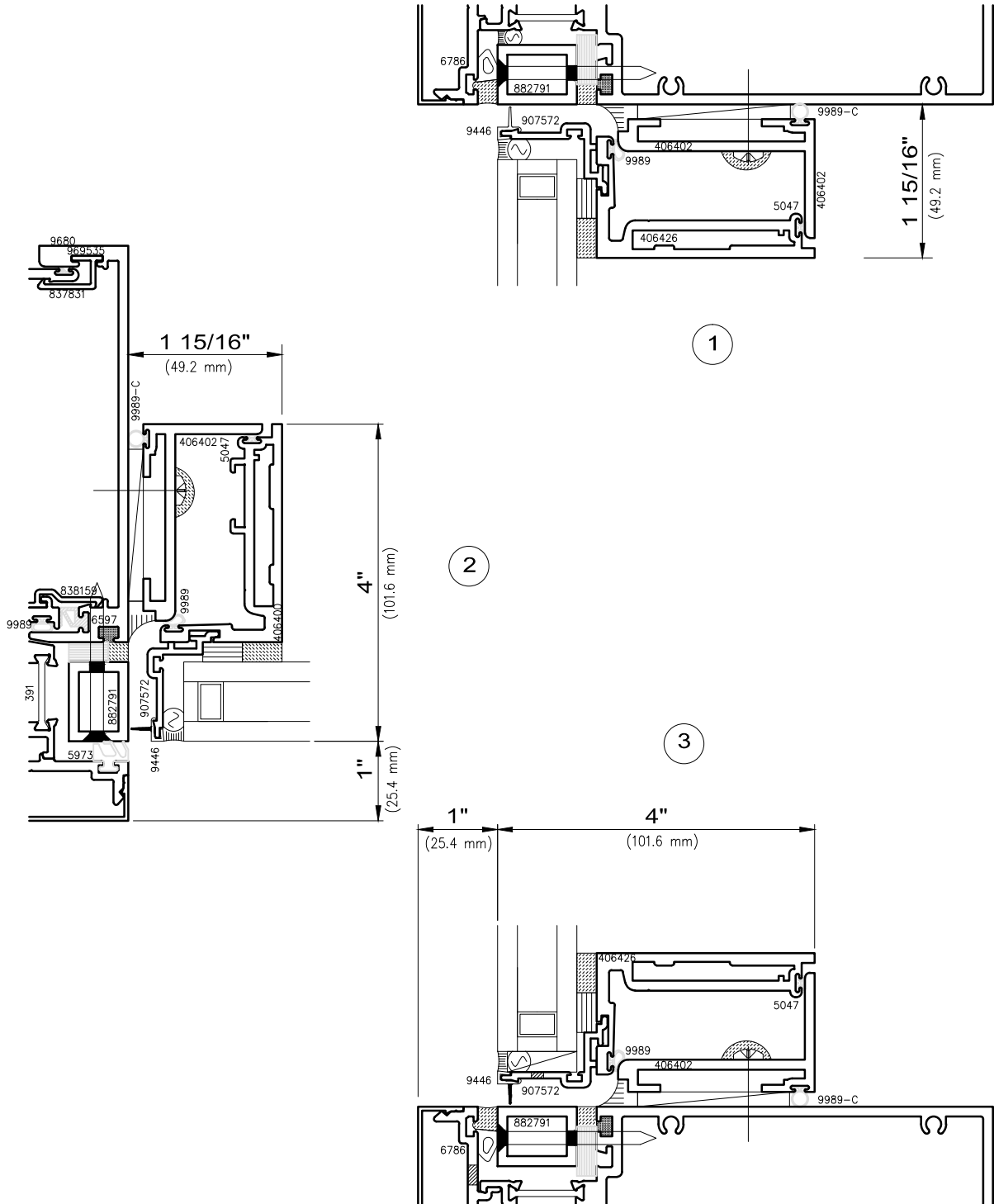
**WAUSAU**

WINDOW AND WALL  
SYSTEMS

Insert Vents  
Multi-lock Sash Hardware

Architectural Windows

4250-Z Series Zero Sightline



Read-through of glazing components may be evident from the exterior using certain glass types.



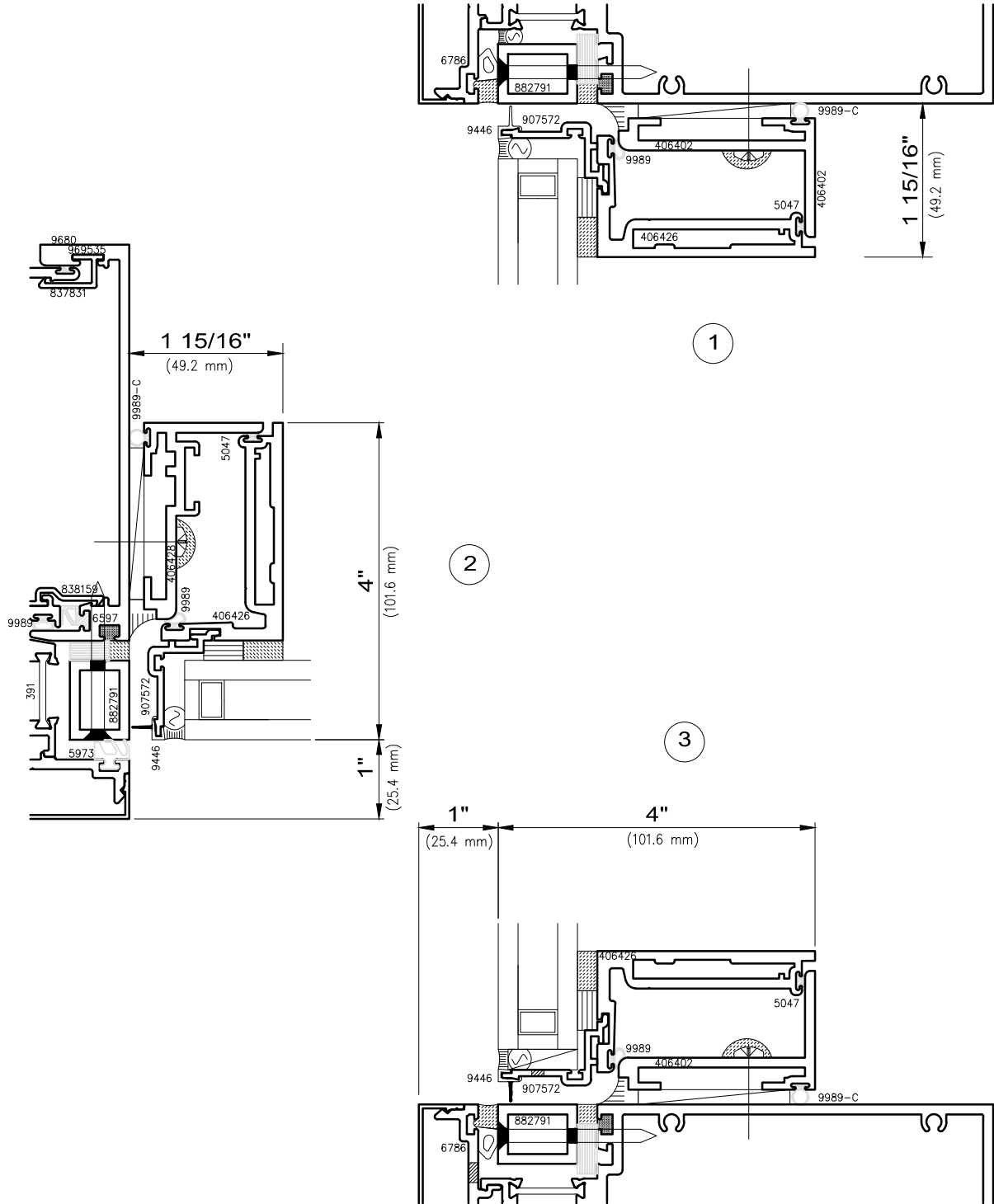
**WAUSAU**

WINDOW AND WALL  
SYSTEMS

Insert Vents  
Multi-lock Frame Hardware

Architectural Windows

4250-Z Series Zero Sightline

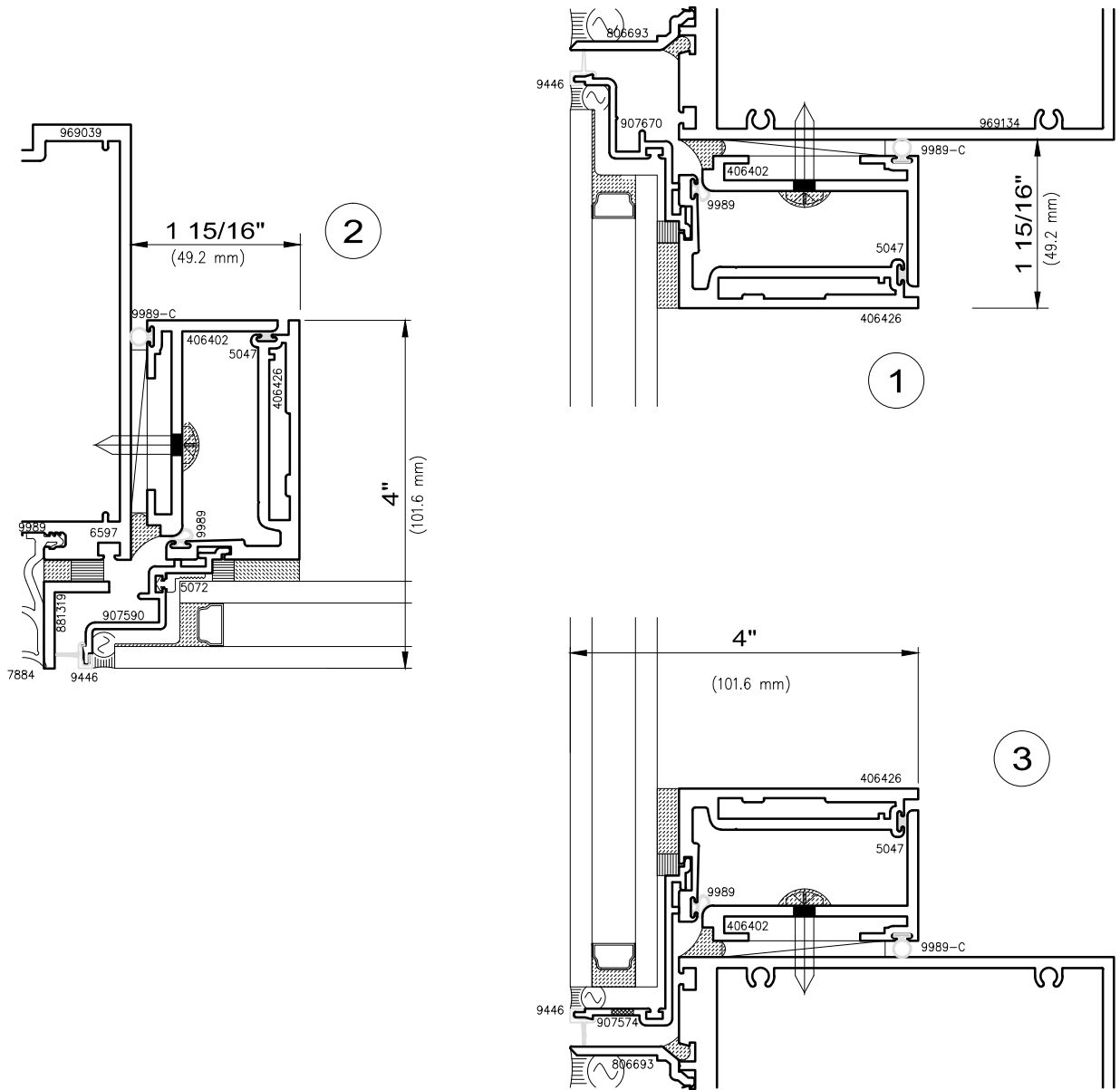


Read-through of glazing components may be evident from the exterior using certain glass types.



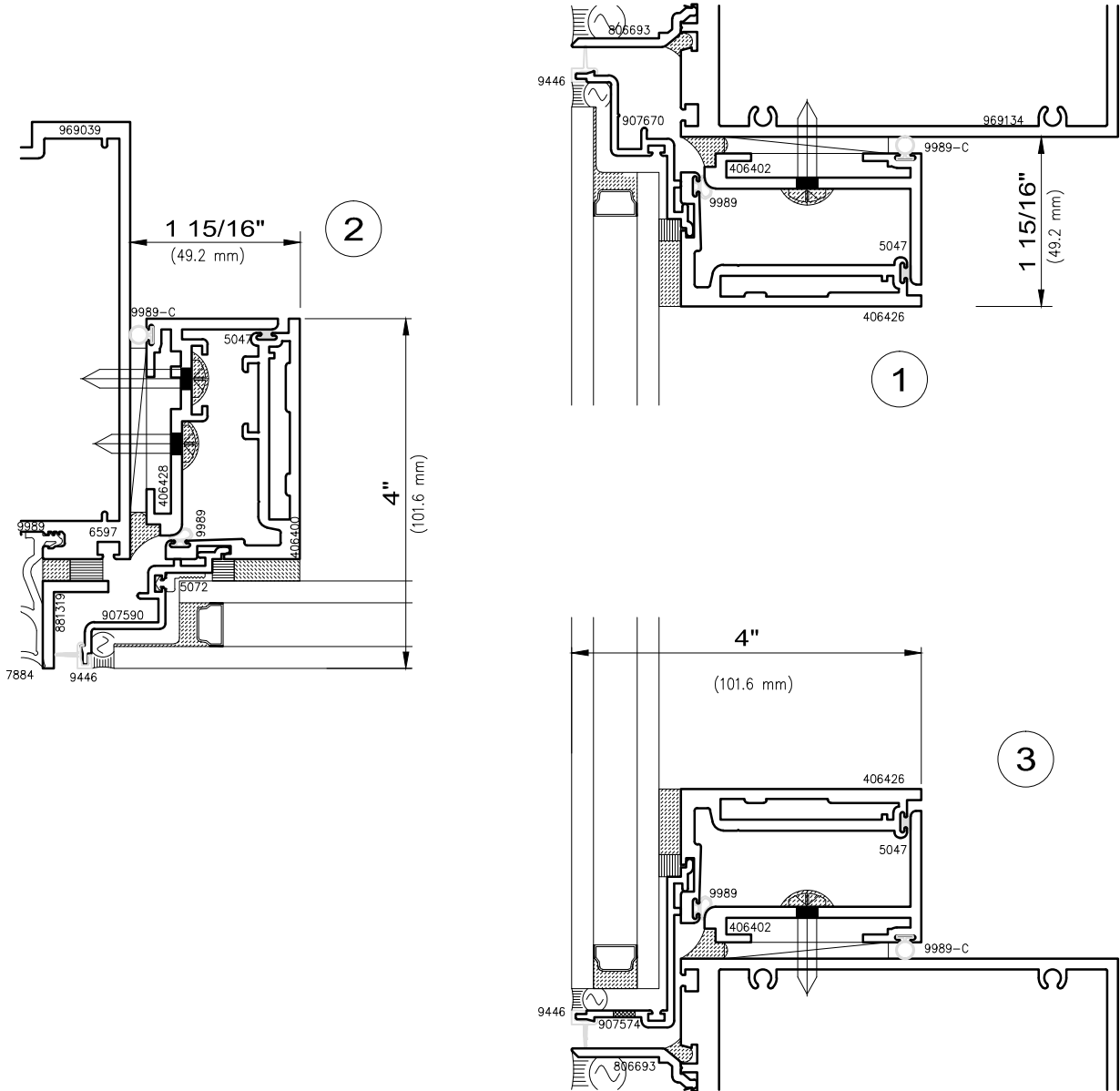
Architectural Windows

4250-Z Series Zero Sightline



Offset IGU edge not recommended at sill

Read-through of glazing components may be evident from the exterior using certain glass types.



Offset IGU edge not recommended at sill

Read-through of glazing components may be evident from the exterior using certain glass types.

